

IT Master Plan

(FY2008 - FY2010)



TOKYO
STOCK EXCHANGE
GROUP

March 25, 2008

DISCLAIMER: This English version is not an official translation of the original Japanese document. In cases where any differences occur between the English version and the original Japanese version, the Japanese version will prevail. Tokyo Stock Exchange Group, Inc. and/or its subsidiaries (collectively the "TSE group") shall not accept any responsibility or liability for damage or loss caused by any error, inaccuracy, misunderstanding or misspelling with regard to this translation. This translation may be used only for reference purposes. The TSE group maintains the right to claim compensation from violators for any damage or loss it may suffer from the violation of these conditions.

Contents

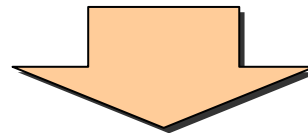
- [1] Introduction**
- [2] Basic Policies**
- [3] Key Issues**
- [4] TSE Systems Schematic Diagram**
- [5] TSE Systems Correlation Chart**
- [6] Overall Plan**

[1] Introduction

In order to fulfill the terms of the Medium-Term Management Plan, the Tokyo Stock Exchange group will proactively utilize Information Technology (IT) to provide a system infrastructure that is sufficiently safe and reliable and that can quickly accommodate and adapt to changes in market conditions.

Corporate Philosophy of TSE Group

To strive to create a sound market with a high level of reliability and convenience from the standpoint of investors and other market users, thereby contributing to the realization of a more prosperous society



Medium-Term Management Plan (Management Policy)

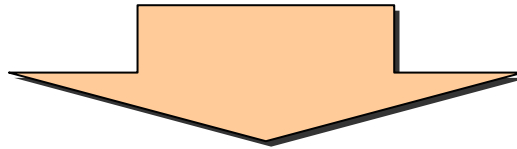
IT Master Plan

This plan provides the basic guidelines of the overall items that must be carried out in the “IT” area in order to further promote business in accordance with the principles of the Corporate Philosophy through a combination of “management” and “IT.”

[2] Basic Policies

Mission

The TSE group will continue to promote new IT innovations, on its path to become a Universal Exchange.



To accomplish this mission, the following important items must be carried out.

Improve customer satisfaction, respond to the demands of market, and strengthen global competitiveness

Increase development and investment efficiency

Enhance and optimize business processes

Secure the confidence and business sustainability of the market infrastructure

Decrease project risks, improve development capacity, and strengthen IT governance

[3] Key Issues

[1] Construct and expand systems utilizing the latest technology

- Construct a next-generation trading system with the world's most advanced system architecture focusing on scalability, speediness, reliability, flexibility and robustness.
- To meet the demands of market users, increase the speed of information dissemination and ability to make changes in information details.

[2] Rapidly improve the system to meet the demands of the market

- Provide flexible and efficient support for new products and services at low costs to strengthen the value of the derivatives and cash markets.
- Provide a network infrastructure with high usability, speediness, and reliability that meets users' demands.

[3] Reorganize IT functions for maximum performance; optimize and enhance IT operations and organization structure

- Integrate the various information systems to ensure mobility, cost reduction, and development optimization.
- Actively utilize IT to reform business processes to enhance the efficiency of management and business operations, and further improve the manner and speed with which management responds to changes.

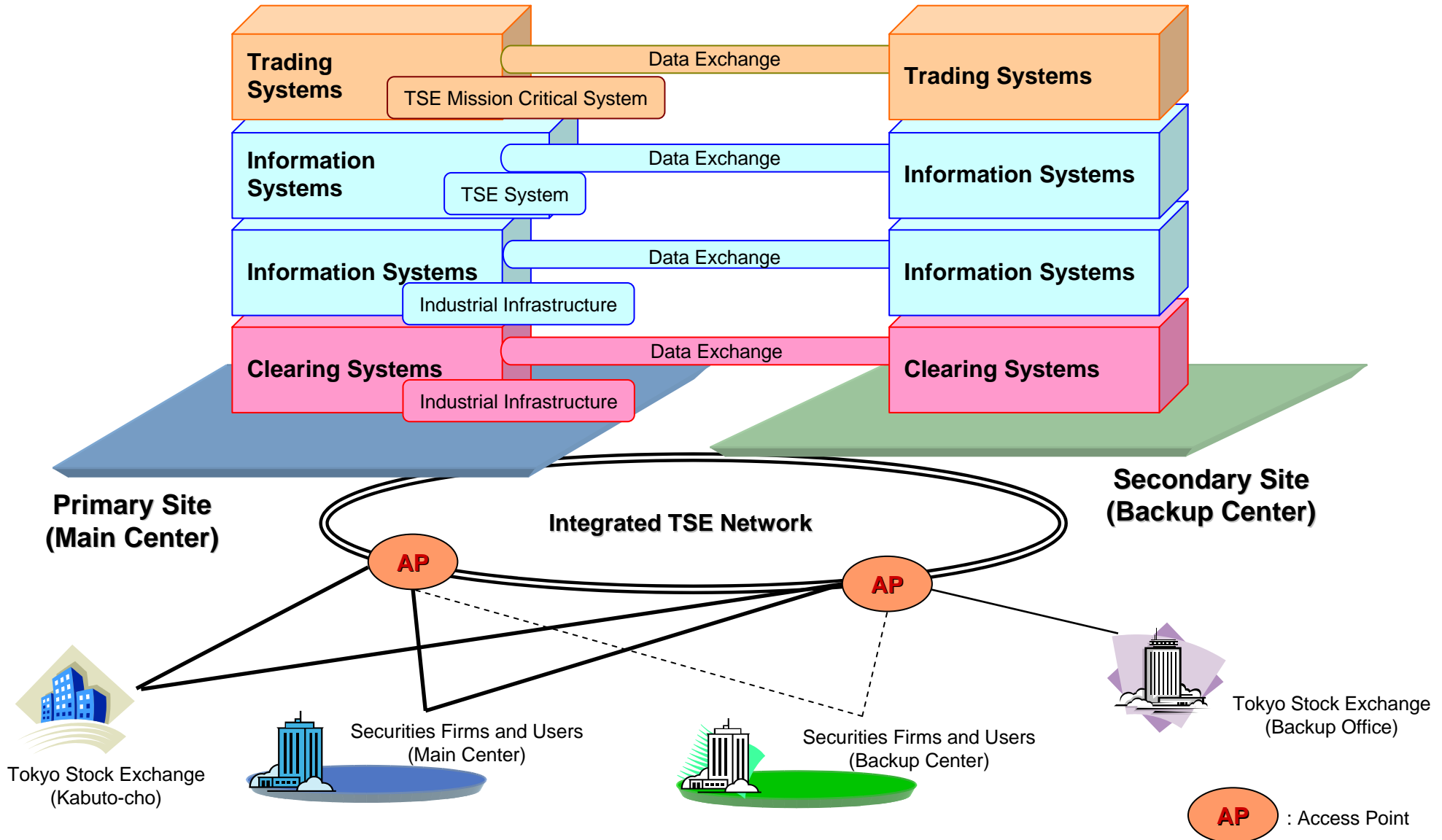
[4] Ensure the stability of market operations and enhance the business sustainability system

- Construct a secondary site (Backup Center) and strengthen the business sustainability system to further enhance the stability of market operations.

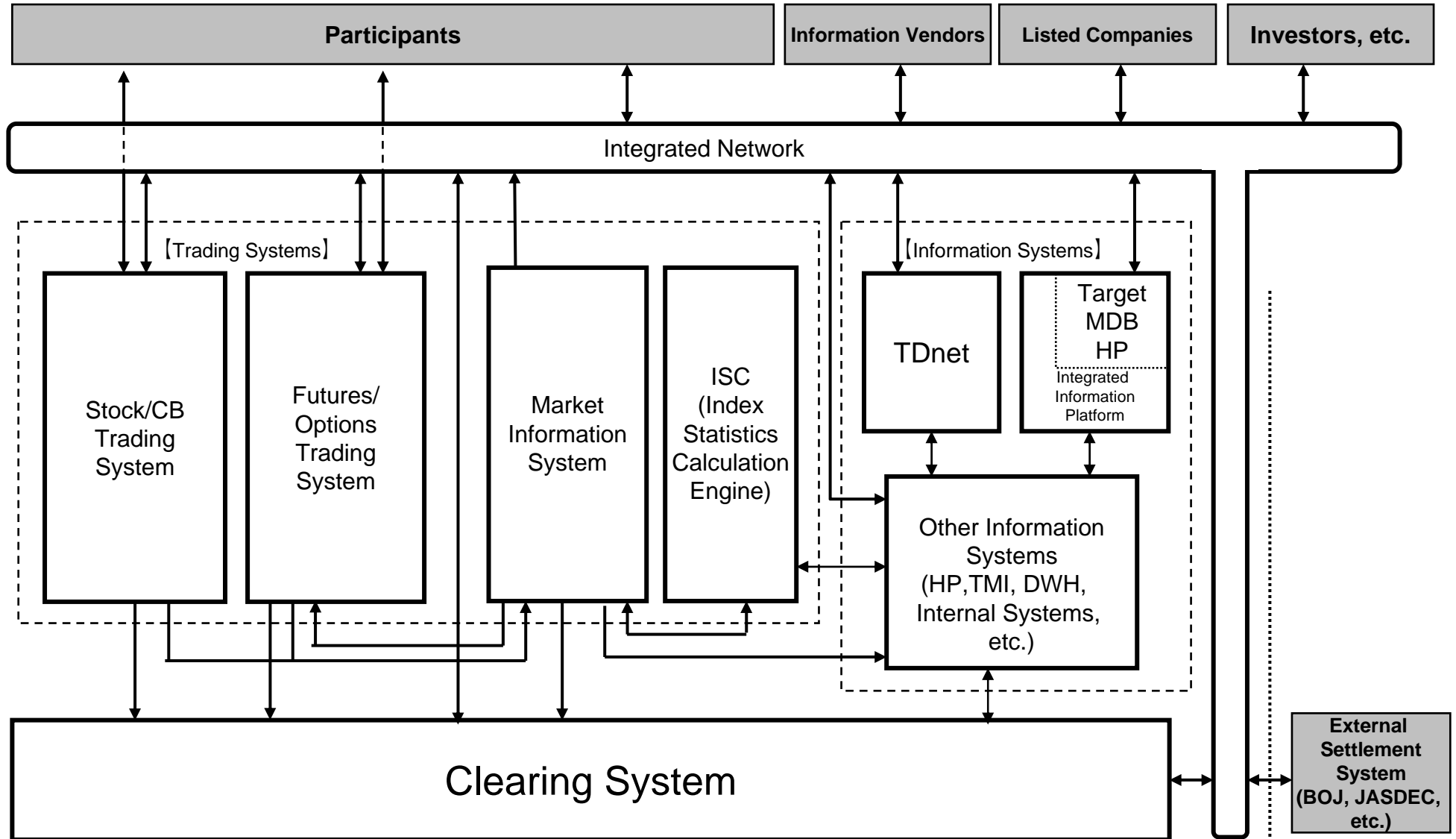
[5] Strengthen project and quality control processes

- Strengthen system quality and project controls, and implement strict measures to prevent system failure.

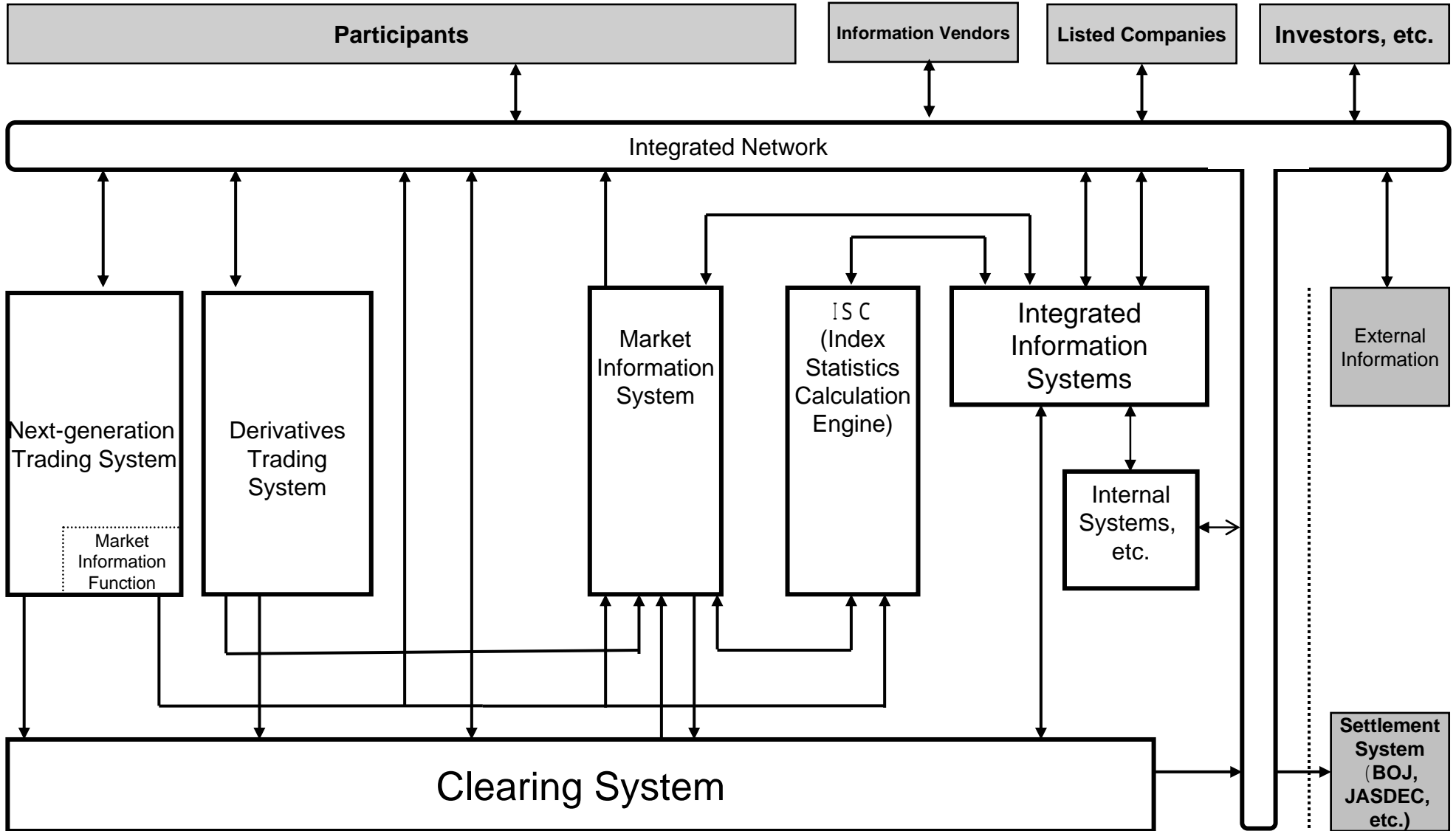
[4] TSE Systems Schematic Diagram (March 2011)



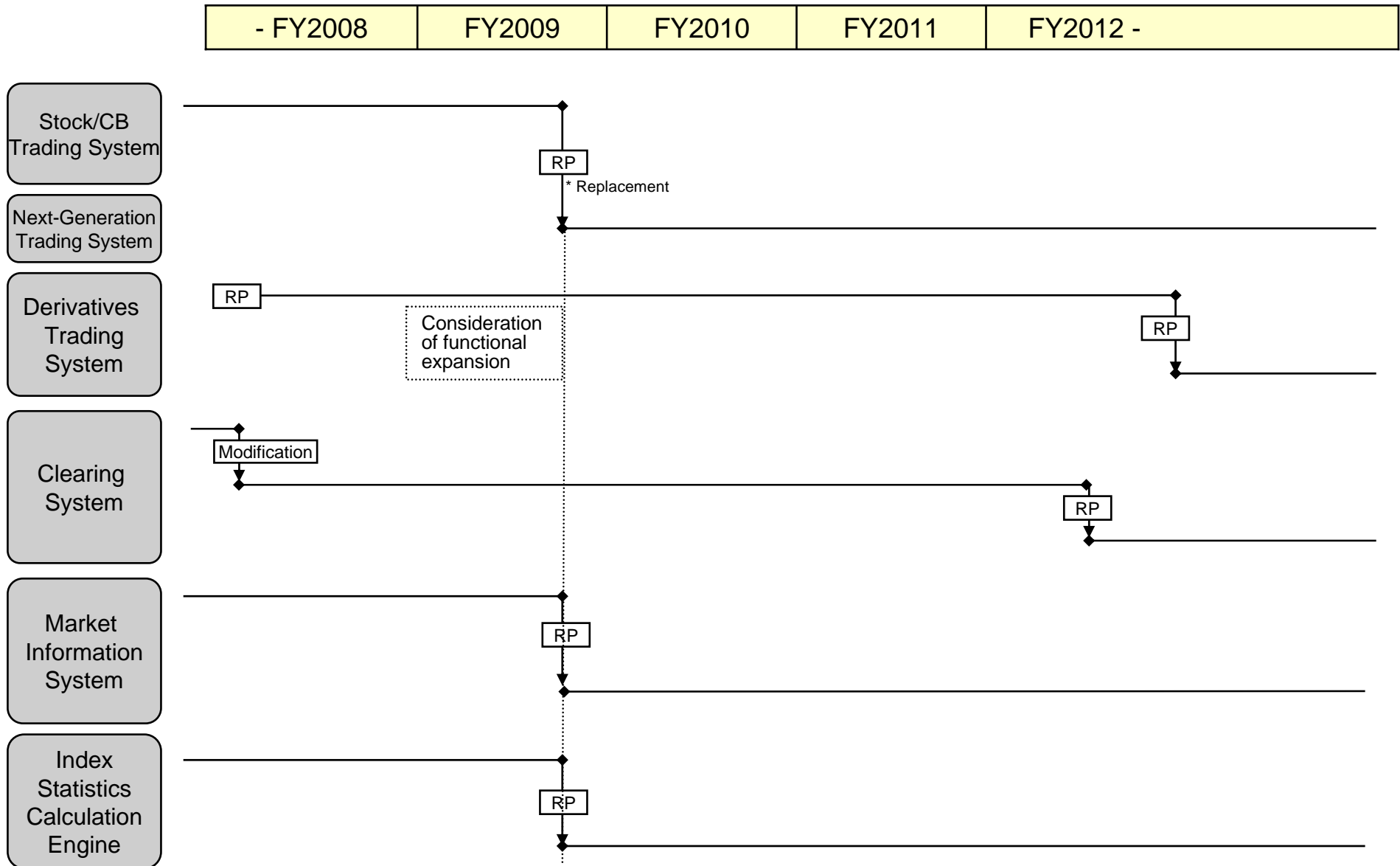
[5] TSE Systems Correlation Chart (1) (Current)



[5] TSE Systems Correlation Chart (2) (Future Vision in March 2011)



[6] Overall Plan (1) (Mission Critical System)



* These milestones indicate the current replacement schedule and may be subject to change in the future due to further examination.

[6] Overall Plan (2) (Information System, etc.)

